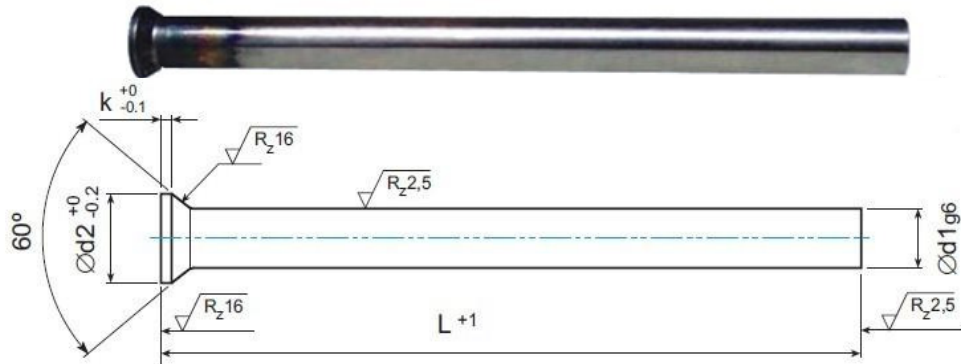




Spring-Die Mould Part Industry Company Limited



DIN1530D Shaft hardness: HRC45-50, Head: HRC60-64 Material: 1.2080, 1.2516

d1	d2	K	L (+2/0)			
			125	160	200	250
g6	0/-0.05	+0.2/0				
1	1.8	1.19				
1.1		1.11				
1.2	2	1.19				
1.3		1.11				
1.4	2.2	1.19				
1.5		1.11				
1.6	2.5	1.28				
1.7		1.19				
1.8	2.8	1.37				
1.9		1.28				
2	3	1.37				
2.1	3.2	1.45				
2.2		1.37				
2.3	3.5	1.54				
2.4		1.45				
2.5		1.37				
2.6	4	1.71				
2.7		1.63				
2.8		1.54				
2.9		1.45				
3	4.5	1.8				
3.1		1.71				
3.2		1.63				
3.3		1.54				
3.4		1.45				
3.5	5	1.8				
3.6		1.71				
3.7		1.63				
3.8		1.54				
3.9		1.45				
4	5.5	1.8				
4.1		1.71				
4.2		1.63				
4.3		1.54				
*		*	*			