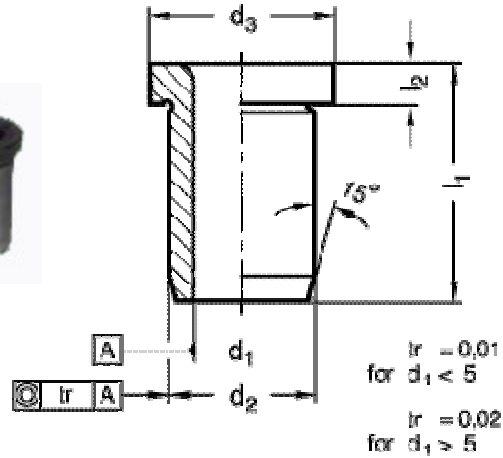


Spring-Die Mould Part Industry Company Limited



Press Fit Drill Jig Bushings

Pression Drill Bushing /Guide Bush with Collar DIN 172 TYPE A

Material: Material:1.7262,SUJ2,SKD61,SC45 Hardness: HRC62-65

d1			d2	d3	l2	L1	L1	L1
F7			n6			short	medium	long
0.4	-	1	3	6	2	6		
1.1	-	1.8	4	7	2	6	9	
1.9	-	2.6	5	8	2	6	9	
2.7	-	3.3	6	9	2.5	8	12	
3.4	-	4	7	10	2.5	8	12	16
4.1	-	5	8	11	2.5	8	12	16
5.1	-	6	10	13	3	10	16	20
6.1	-	8	12	15	3	10	16	20
8.1	-	10	15	18	3	12	20	25
10.1	-	12	18	22	4	12	20	25
12.1	-	15	22	26	4	16	28	36
15.25	-	18	26	30	4	16	28	36
18.25	-	22	30	34	5	20	36	
22.25	-	26	35	39	5	20	36	
26.25	-	30	42	46	5	25	45	
30.25	-	35	48	53	5	25	45	
35.5	-	40	55	59	5	30	56	