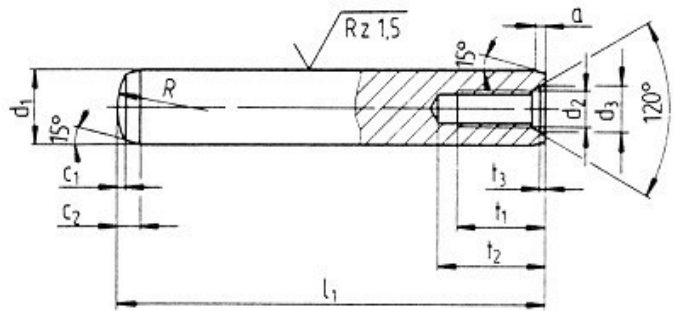


Spring-Die Mould Part Industry Company Limited



DIN7979 INNER THREAD DOWEL PIN

Material: S45C, SuJ2, 1.3505 Hardness: HRC58-62

L1(js15)	d1(m6 / h6)							
	6	8	10	12	14	16	18	20
	M4		M6		M8			M10
	t2 6		t2 10		t2 12			t2 16
20								
24								
28								
30								
32								
36								
40								
45								
50								
55								
60								
70								
80								
90								
100								
120								
130								
140								
150								