

Ejector sleeve DIN ISO 8405 (DIN16756)

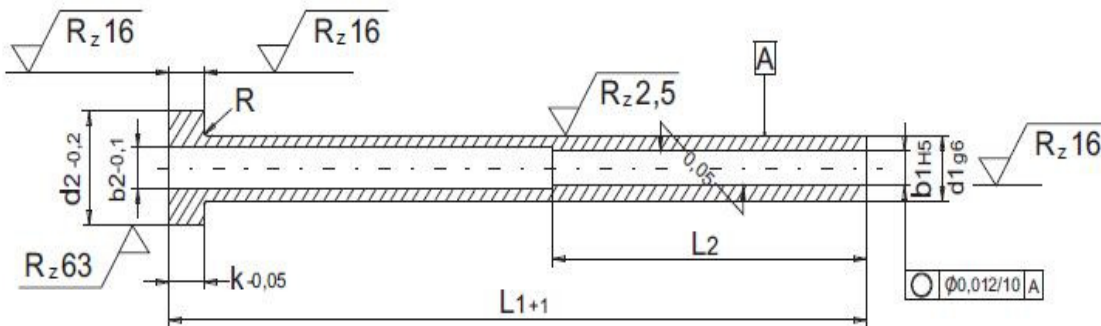
MATL:WAS(≈1.2344, 1.2343,SKD61)Hot work die steel

WS: (≈1.2210, 1.2516,1.2067)

Hardened and Nitrided

Surface: min HV950 0.3 (≈HRC67) Body: HRC60-62

Core: HRC45-45 Bright or black on demand



CODE	d1g6	b1H5	d2	k	b2	L2	L1 +1										
							60	75	100	125	150	175	200	225	250	275	300
SES-61	3	1.5	6	3	1.8	25											
		1.6			2.0												
	4	2	8		2.4	35											
		2.2			2.5												
	5	2.5	10		5	3.0	45										
		2.7				3.5											
		3															
	6	3.2	12	5	4.0												
		3.5				4.5											
	8	4	14	5	4.5												
		4.2				5.5											
	10	5	16	7	6.5												
		5.2															
	12	6	20	7	8.5												
		6.2															
	14	8	22	7	10.5												
8.2																	
16	10			12.5	50												
	12																

ORDER SAMPLE: SES61-b1*d1*L1

Homepage:<http://www.spring-diemouldpart.com>

Email:export@spring-diemouldpart.com