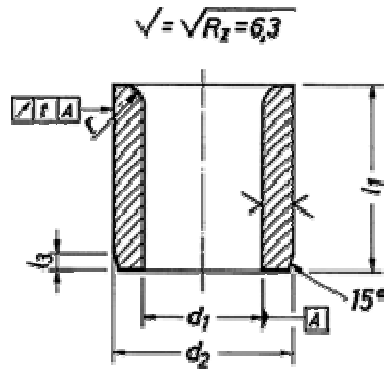


Spring-Die Mould Part Industry Company Limited



Press Fit Drill Jig Bushings

Pression Drill Bushing /Guide Bush without Collar DIN 179 TYPE A

Material: Material:1.7262,SUJ2,SKD61,SC45 Hardness: HRC62-65

d1			d2		L1	L1	L1
F7			n6		short	medium	long
0.4	-	1	3		6		
1.1	-	1.8	4		6	9	
1.9	-	2.6	5		6	9	
2.7	-	3.3	6		8	12	
3.4	-	4	7		8	12	16
4.1	-	5	8		8	12	16
5.1	-	6	10		10	16	20
6.1	-	8	12		10	16	20
8.1	-	10	15		12	20	25
10.1	-	12	18		12	20	25
12.1	-	15	22		16	28	36
15.25	-	18	26		16	28	36
18.25	-	22	30		20	36	
22.25	-	26	35		20	36	
26.25	-	30	42		25	45	
30.25	-	35	48		25	45	
35.5	-	40	55		30	56	

Homepage:<http://www.spring-diemouldpart.com> Email:export@spring-diemouldpart.com